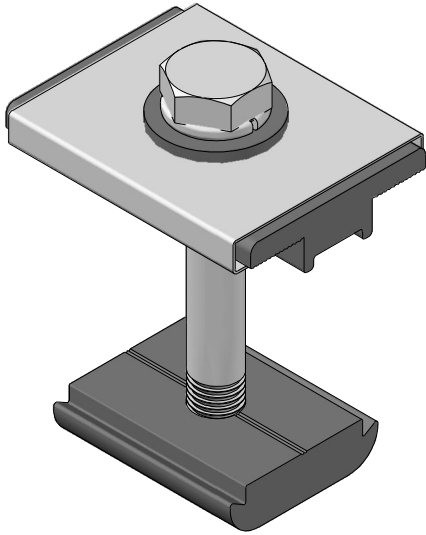
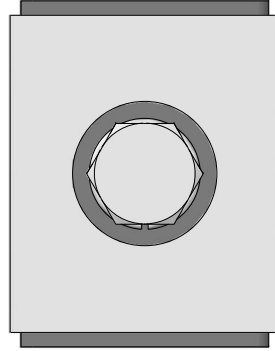


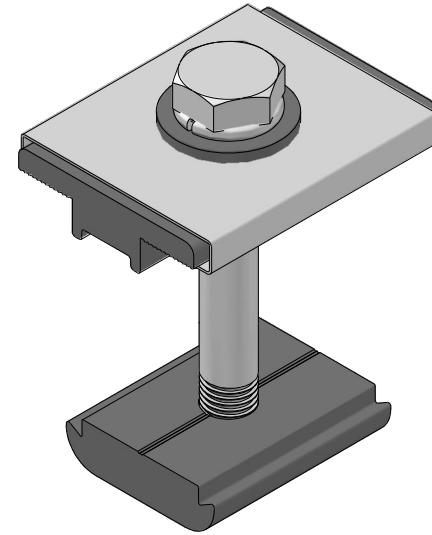
REV	DATE	DES	REVISION DESCRIPTION	CADD	CHK	RVW



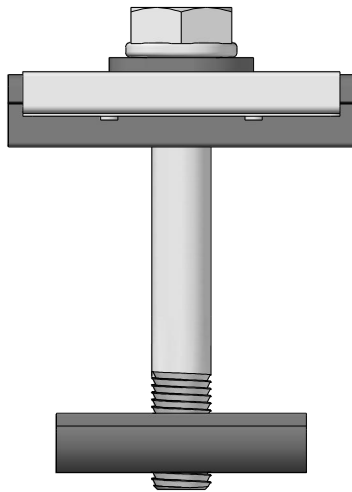
ISOMETRIC VIEW  
SCALE 1:1



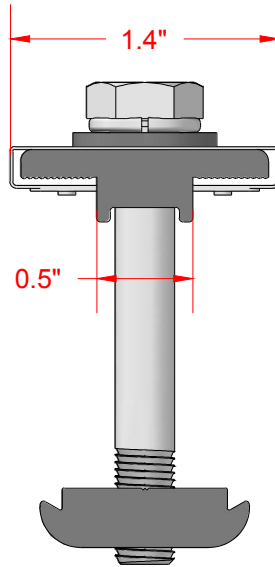
TOP VIEW  
SCALE 1:1



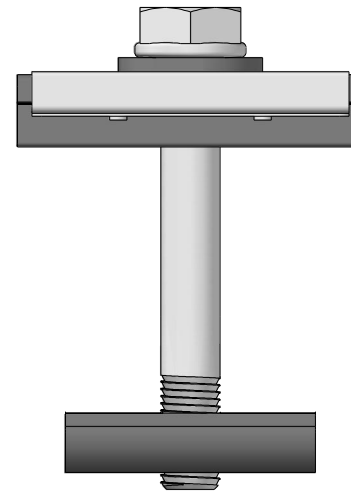
ISOMETRIC VIEW  
SCALE 1:1



FRONT/BACK VIEW  
SCALE 1:1



SIDE VIEW  
SCALE 1:1



FRONT/BACK VIEW  
SCALE 1:1

**GENERAL NOTES**

Material: Aluminum Alloy 6063  
Mill or Anodized [Black or Clear]

Bolt Length dependent on Solar Panel thickness:  
 1) Length: 2-1/4" [Panel Thickness: 30-37mm]  
 2) Length: 2-1/2" [Panel Thickness: 38-43mm]  
 3) Length: 3" [Panel Thickness: 44-50mm]

Clamp Weight:  
 1) 0.324 lbs/ft [Top End]

- Components
- 1) Bolt
  - 2) Lock Wash
  - 3) Washer
  - 4) Weeb-KSR
  - 5) Clamp
  - 6) Kinetic Nut



PROJECT

N/A

TITLE

**Kinetic Mid Clamp**

DESIGN	xxx	20/04/2015	FILE No.	23814
CADD	xxx	19/03/2016	SCALE	AS SHOWN
REVIEW		28/04/2016	REV.	0
PROJECT No.				

**DRAWING: Joshua Walker**