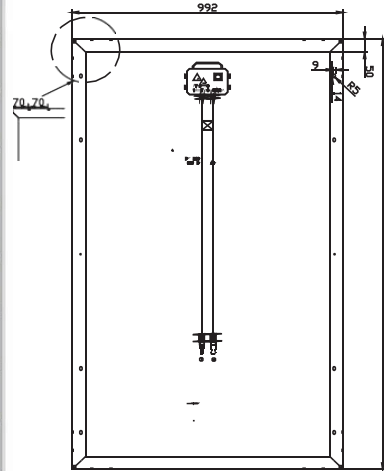
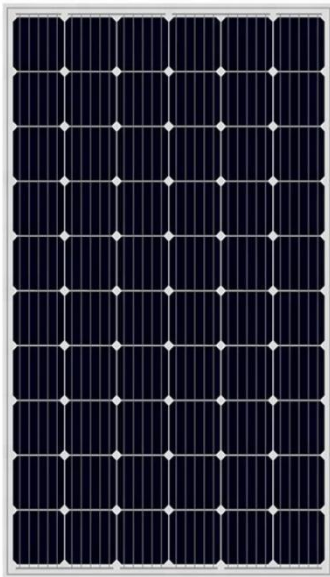


# VSM60-330-G1

Specification | Photovoltaic Module



## Mechanical Characteristics

Solar Cell	Mono PERC 158.75x158.75(mm)
No. of Cells	60 ( 6 x 10 )
Dimensions	1640 x 992 x 35 (mm)
Weight	19.1 kg
Front Glass	3.2mm (0.13 inches) tempered glass
Frame	Anodized aluminum alloy

## Output

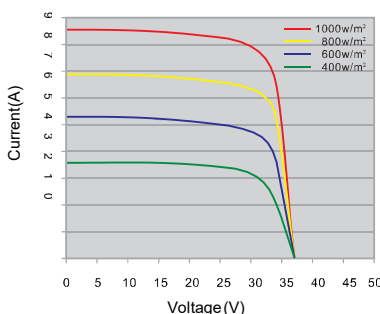
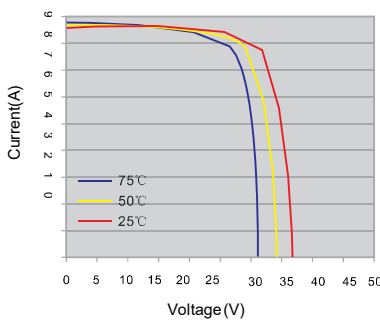
Cable Type	Ø = 4 mm <sup>2</sup>
Lengths	L = 900 mm
Junction Box	IP68

## Temperature Coefficients

Nominal Operating Cell Temperature (NOCT)	45 ± 2°C
Temperature Coefficient of (P <sub>max</sub> )	-0.36% / °C
Temperature Coefficient of (V <sub>oc</sub> )	-0.28% / °C
Temperature Coefficient of (I <sub>sc</sub> )	+0.05% / °C
Operating Temperature	-40°C~+85°C
Wind Load/Snow Load	2400pa/5400pa



Parameters	VSM60-320	VSM60-325	VSM60-330	VSM60-335
Peak power [Wp] P <sub>mpp</sub>	320W	325W	330W	335W
Power Tolerance	0~+5%	0~+5%	0~+5%	0~+5%
Module Efficiency (%)	19.0%	19.3%	19.6%	19.9%
Open circuit voltage [V] V <sub>oc</sub>	40.60V	40.87V	40.5	41.0
Maximum Power Voltage [V] (V <sub>mpp</sub> )	33.73V	34.24V	32.9	33.3
Maximum Power Current [A] (I <sub>mpp</sub> )	9.49A	9.64A	9.58	9.61
Short circuit Current [A] (I <sub>sc</sub> )	10.16A	10.23A	10.12	10.15



STC: Irradiance : 1000 W/m<sup>2</sup>; Spectrum AM 1.5; Cell temperature: 25°C; Wind 0 m/s

- Provide the best solutions for photovoltaic power generation and technical support
- Provide Cost-effective products
- Provide 12 Years Quality Warranty
- Power out ≥ 90% in 10 years
- Power out ≥ 80% in 25 years

