



## SMART BATTERY COMBINER (ME-SBC)

### Model Number

- ME-SBC

### Available For

- Renewable Energy Systems
  - Off-grid Power
  - Back-up Power
- Marine Systems
- RV Systems

### Works With

- DC Load Disconnect
- ME Series
- MS Series

The ME-SBC also works as a stand-alone unit.

The Sensata Technologies Smart Battery Combiner (ME-SBC) is an easy-to-use stand alone battery combiner and isolator for 12 and 24 VDC systems. Apply a single charging source to the main battery bank and the ME-SBC charges a second battery bank using a portion of the current. With adjustable voltage ranges, including automatic on/off setpoints, the ME-SBC prevents under- or over-charging.

### THE FRONT PANEL INCLUDES:

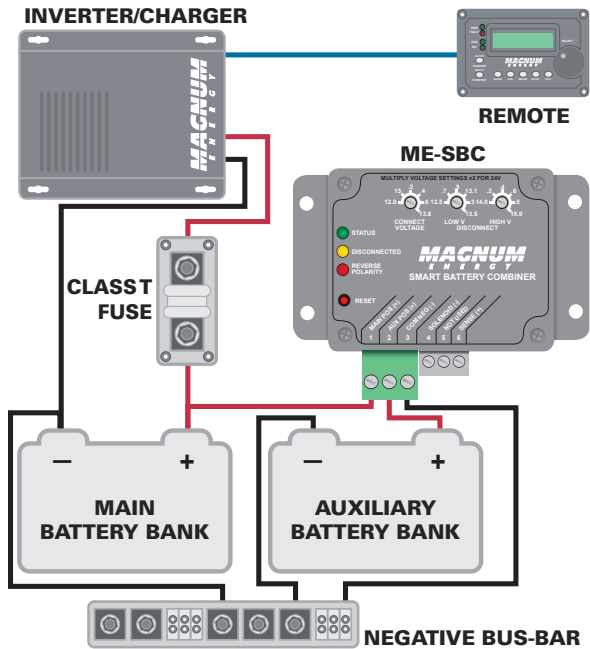
- LED indicators showing status and operation.
- Three adjustable voltage dials to set the “Connect Voltage”, “Low V Disconnect”, and “High V Disconnect.”
- An oversized power terminal block allowing for easy wire connections even if the wires are large.
- An accessories terminal block to add a solenoid or a separate voltage sense line.
- A reset switch.

### FEATURES:

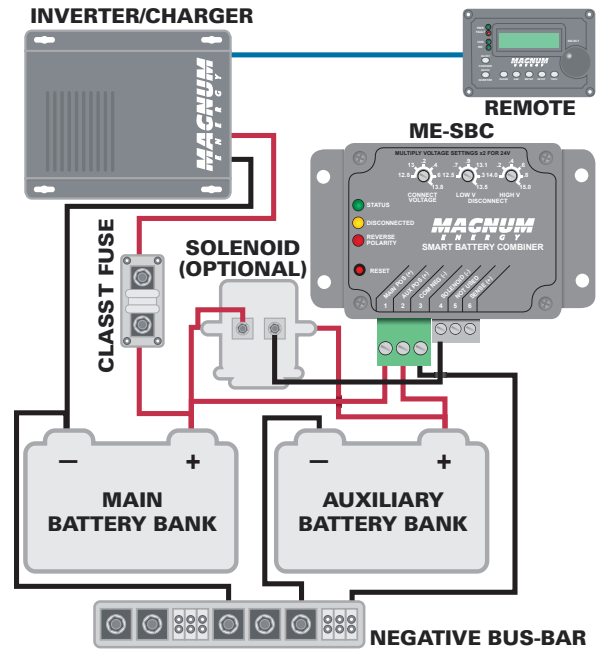
- Voltage auto-detect feature recognizing 12 or 24 VDC.
- Transfers up to 25 amps.
- Solenoid drive for requirements greater than 25 amps.
- Over-temperature and over-current shutdown.
- Adjustable voltage settings with a wide range allows for charging flexibility.
- Bi-directional charging.
- Reverse polarity protection.
- Sense lead for long-run applications.

# ME-SBC BASIC CONFIGURATION DIAGRAMS

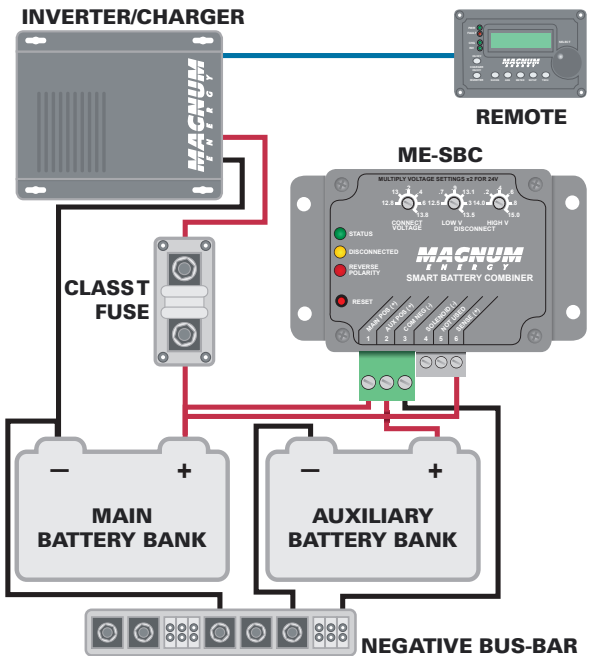
## 25 AMP COMBINER MODE



## SOLENOID DRIVE



## REMOTE VOLTAGE SENSE



## ME-SBC SPECIFICATIONS

	ME-SBC
<b>INVERTER SPECIFICATIONS</b>	
DC volts	12 or 24 VDC nominal
DC amps	25 amps continuous
Maximum VDC	40 volts peak
Average operating tare loss	~150 mW
Maximum operating tare loss	< 220 mW
Non-operating tare loss	< 50 mW
Operating range	0 - 32 VDC
Shipping weight	2 lbs (0.9 kg)
Shipping dimensions (l x w x h)	6" x 9" x 2.5" (15.2 x 22.9 x 6.4 cm)
Unit dimensions (l x w x h)	4.2" x 5.4" x 1.4" (10.7 x 13.7 x 3.6 cm)
Maximum operating temperature	-40° F to +185° F (-40° C to +85° C)
Maximum storage temperature	-40° F to +194° F (-40° C to +90° C)



The World Depends on Sensors and Controls

**OFFICES**  
 2211 West Casino Road  
 Everett, Washington 98204 USA  
 425-353-8833  
 4467 White Bear Pkwy  
 St. Paul, MN 55110 USA  
 800-553-6418  
[www.SensataPower.com](http://www.SensataPower.com)

Testing for specifications at 25° C. Specifications subject to change without notice.

February 2017 Rev C Part #64-0600