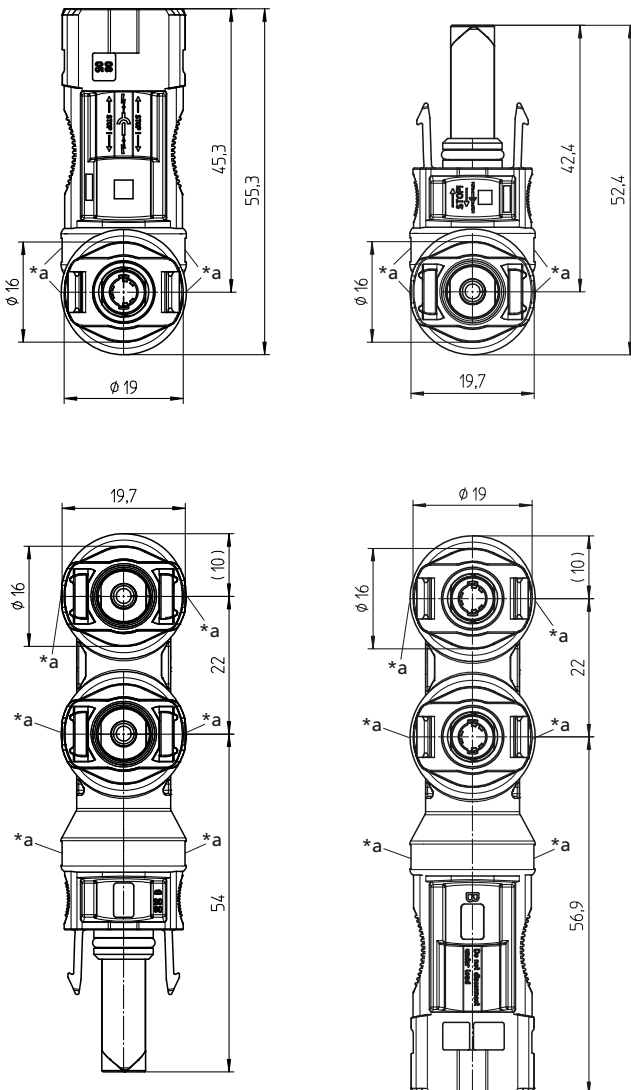



LC4-CP 235 IT W02
LC4-CP 222 IT W02

Package unit: 100 pieces in a cardboard box
www.lumberg.com
LC4-CP 222
LC4-CP 235
LC4® photovoltaic branch connector
LC4-CP 222: socket-plug-plug
LC4-CP 235: plug-socket-socket

1. Temperature range	-40 °C/+85 °C (+110 °C upper limit temperature)
2. Materials	halogen-free, UV-resistant Insulating body: m-PPE, V0 according to UL 94 Contact pin/bush: CuNiSi, tinned
3. Mechanical data	Insertion force ¹ : ≤ 20 N Withdrawal force ¹ : ≥ 10 N Retaining force of locking latches ² : ≥ 90 N Mating cycles ² : 50 Mating with: photovoltaic connectors LC4 Protection degree ³ : IP 68
4. Electrical data (at T_{amb} 20 °C)	Rated current ² : 35 A at T _{amb} 85 °C Rated voltage ⁴ : 1000 V DC (IEC)/600 V DC (UL) Overvoltage category ⁴ : III (8 kV) Material group ⁴ : I (IEC)/0 (UL) (CTI ≥ 600) Insulation resistance: > 10 GΩ

¹ measured with a polished steel gauge, nominal thickness 4.0 mm
² measured with a proper counterpart according to IEC 60529/DIN EN 60529
³ only in mated condition with a proper counterpart
⁴ IP X8 requirements under agreement between manufacturer and user according to DIN EN 60664/IEC 60664 resp. according to ANSI/UL 746A

Approvals under preparation

*a marking + on LC4-CP 2...-1, - on LC4-CP 2...-2

